

LED Transflective Sunlight Readable **19RTCSR**

Specializing in Monitor / Video Processing



SPECIAL FEATURES

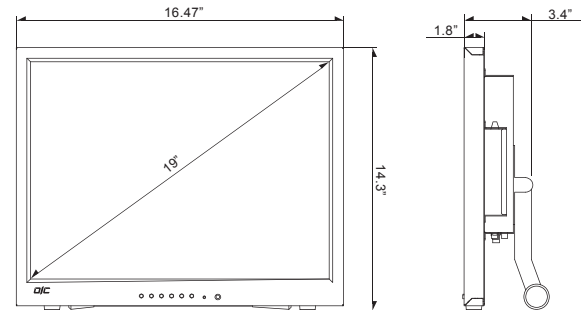
- Metal Chassis
- 1000Nit Hight Brightness Panel
- Transflective Technology, LED high brightness BLU
- 3D Comb Filter / Deinterlace, Noise Reduction, Multi-Language Support
- BNC Video 2 In / 2 Out, S-Video 1 In, DVI-D 1 In, HDMI 2 In, VGA 1 In, Component 1 In, Audio 3 In, PC Stereo 1 In
- Built-In Speakers
- Wall and Rack Mount Kit

SPECIFICATIONS

		19RTCSR
Display	Screen Size	19 Inch
	Max. Resolution	1280 x 1024 @ 75Hz
	Pixel Pitch	0.294 x 0.294mm
	Brightness	1000cd/m ²
	Contrast Ratio	1000 : 1
	Aspect Ratio	5 : 4
	Viewing Angle (H/V)	170° / 160°
	Display Color	16.7 Million
	Response Time	< 5ms
	Video System	NTSC / PAL
	Frequency (H)	50-64 KHz(H)
	Frequency (V)	55-75 KHz(V)
Interface	Video In / Out (BNC Type)	2 / 2
	S-Video In / Out	1 / 0
	DVI-D In / HDMI In	1 / 2
	Component In	1
	VGA In (15Pin D-Sub)	1
	Audio In (RCA Type)	3
	PC Stereo In	1
Transmitter	Remote Control	Yes
Audio	Built-in Speakers	Yes (1W x 2)
Features	Transflective Technology	Yes
	LED high brightness BLU	Yes
	3D Comb Filter	Yes
	Deinterlacing	Yes
	Noise Reduction (NR)	Yes
	Multi Display Function	PIP / PBP
	Multi Language	English, Spanish, French, German, Italian
Dimension	Outline Dimension	16.4" W x 14.3" H x 3.4" D
	Net. Weight	7.39Kg (16.3lbs)
Cabinet	Material / Color	Metal / Black
	Base Stand	Folding Leg
Warranty	Part/Labor	2year / 2year
Power	Consumption: < On	< 40W
	Electrical Ratings	AC100 ~ 240V(50/60Hz) DC 24V
Circumstance	Operating Temperature	10 ~ 40°C / 50 ~ 104°F
Mounts	VESA™ Mount Size	100 x 100mm
	Wall	WB-5, WB-10, WB-30, WB-31
	Ceiling	CMK-01
	Rack	RMK-08

*Design and specifications are subject to change without notice

DIMENSIONS



MOUNT OPTION



Optional CMK-01 Ceiling Mount



Optional Wall Mount

